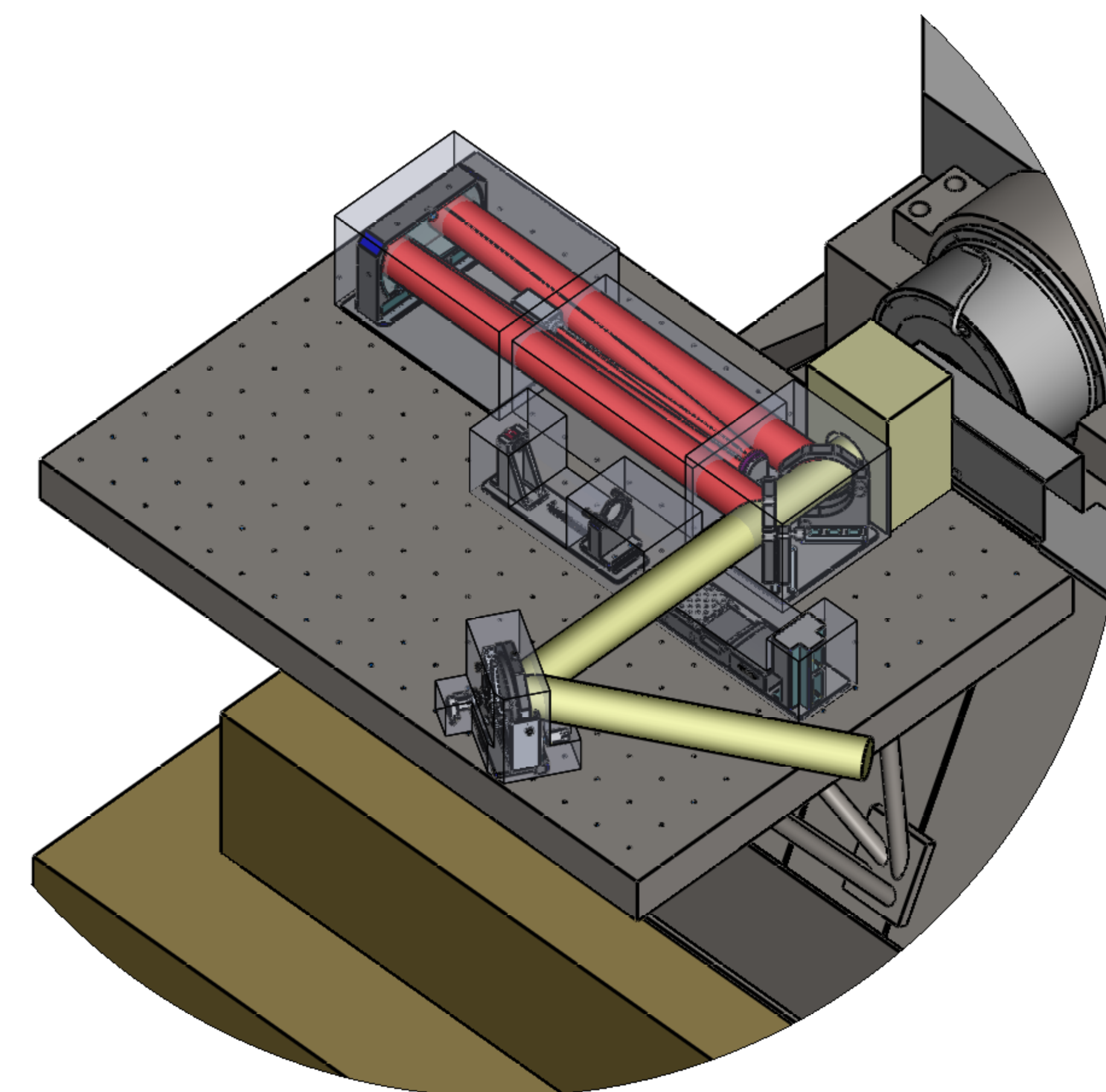
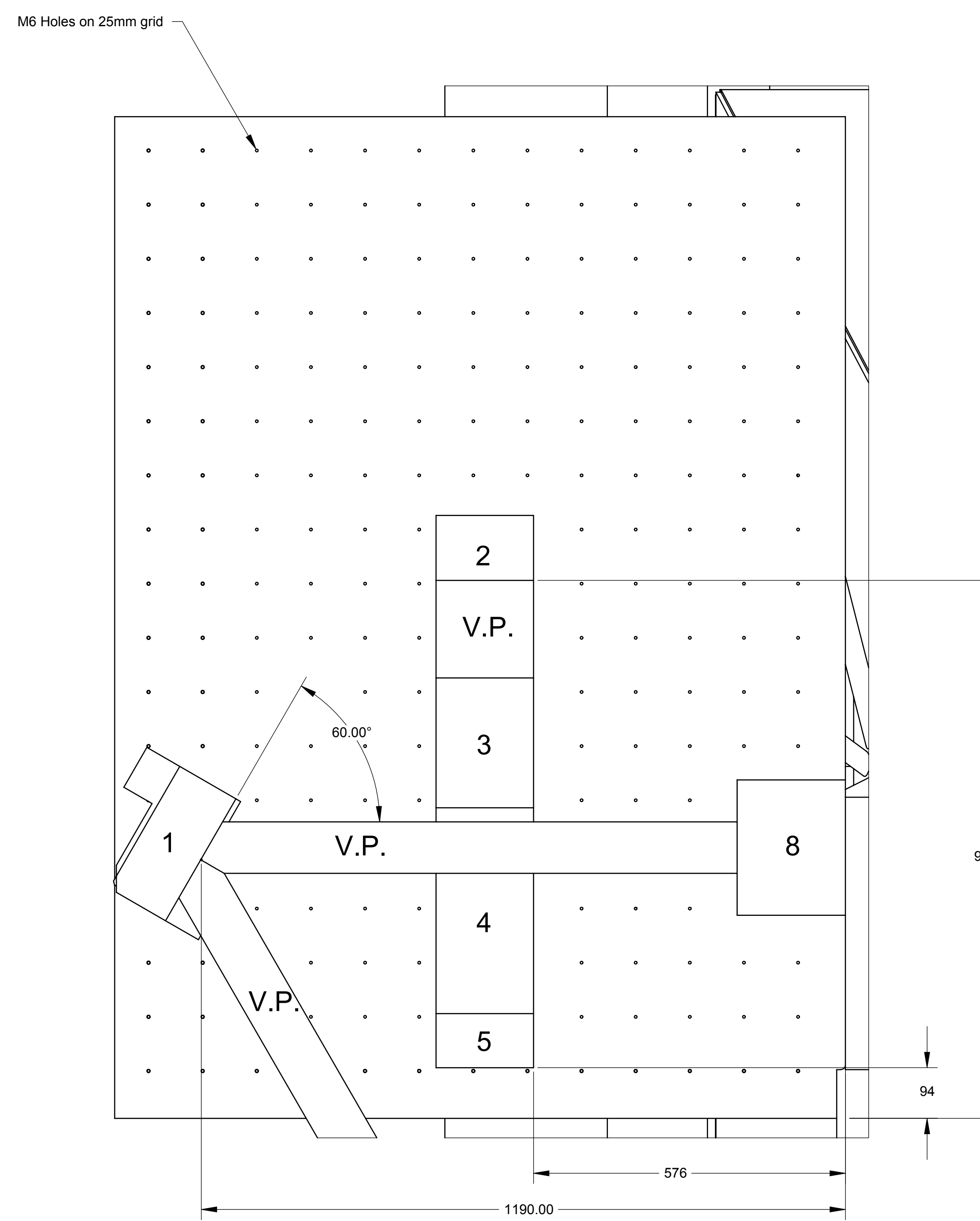
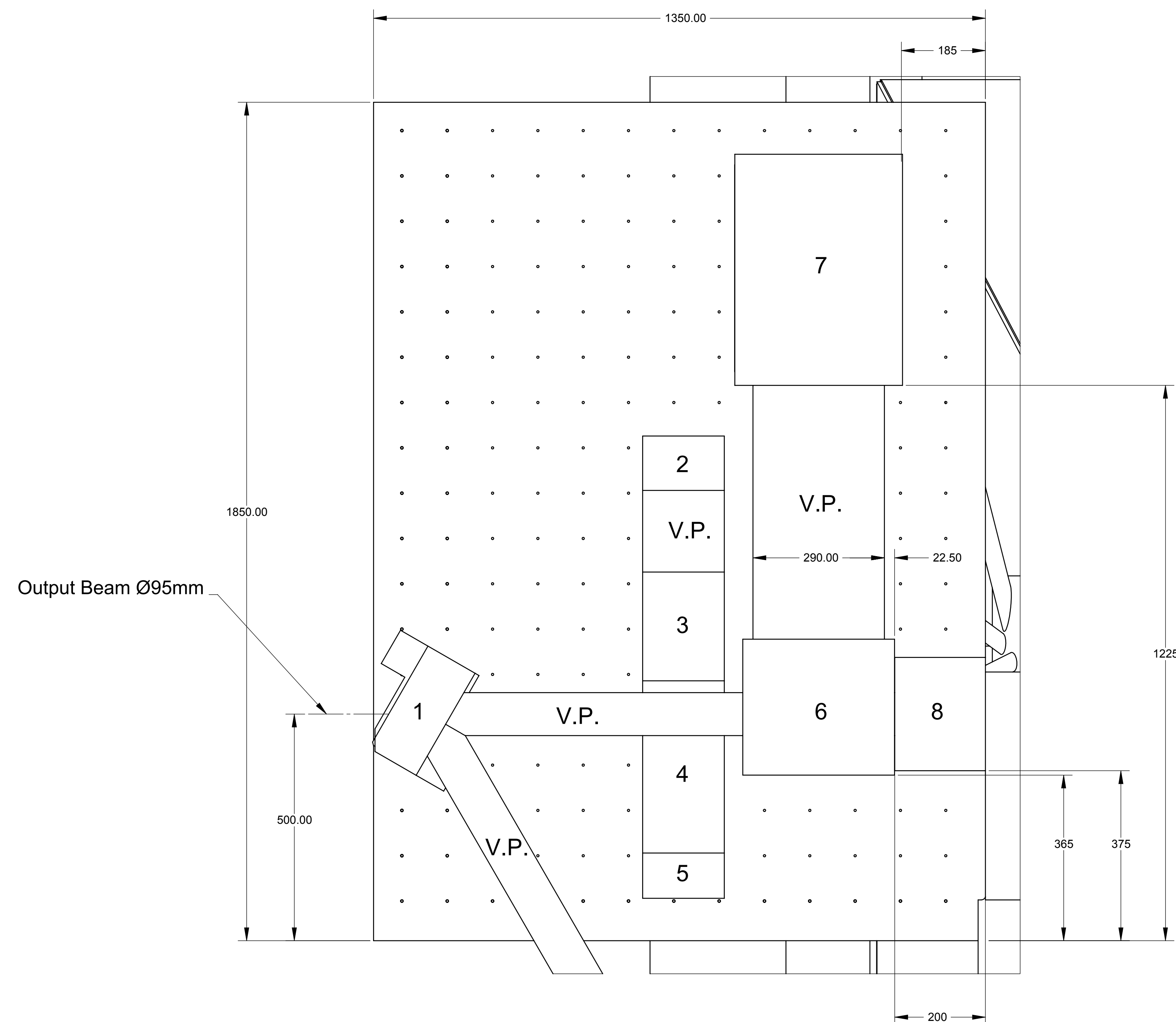


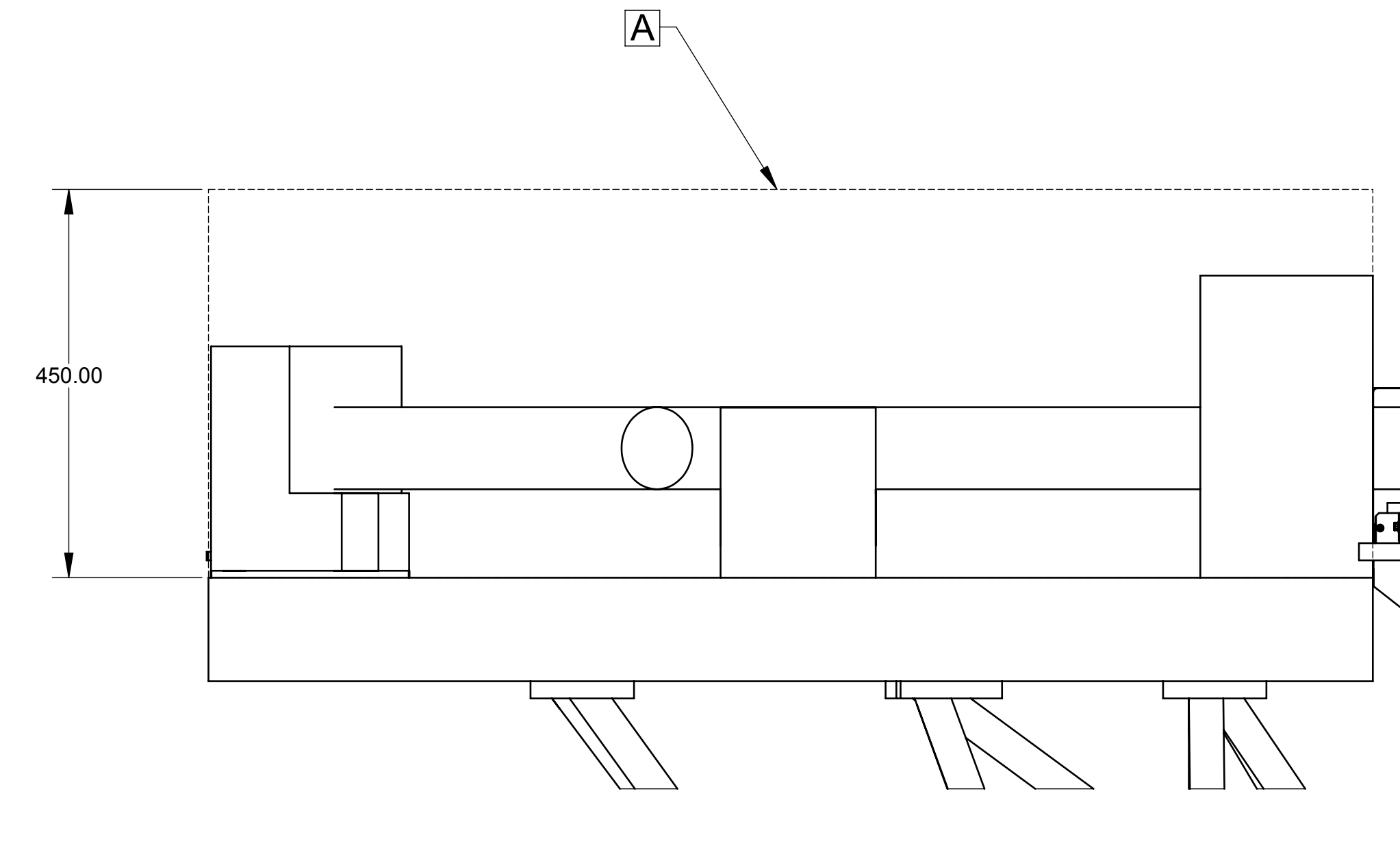
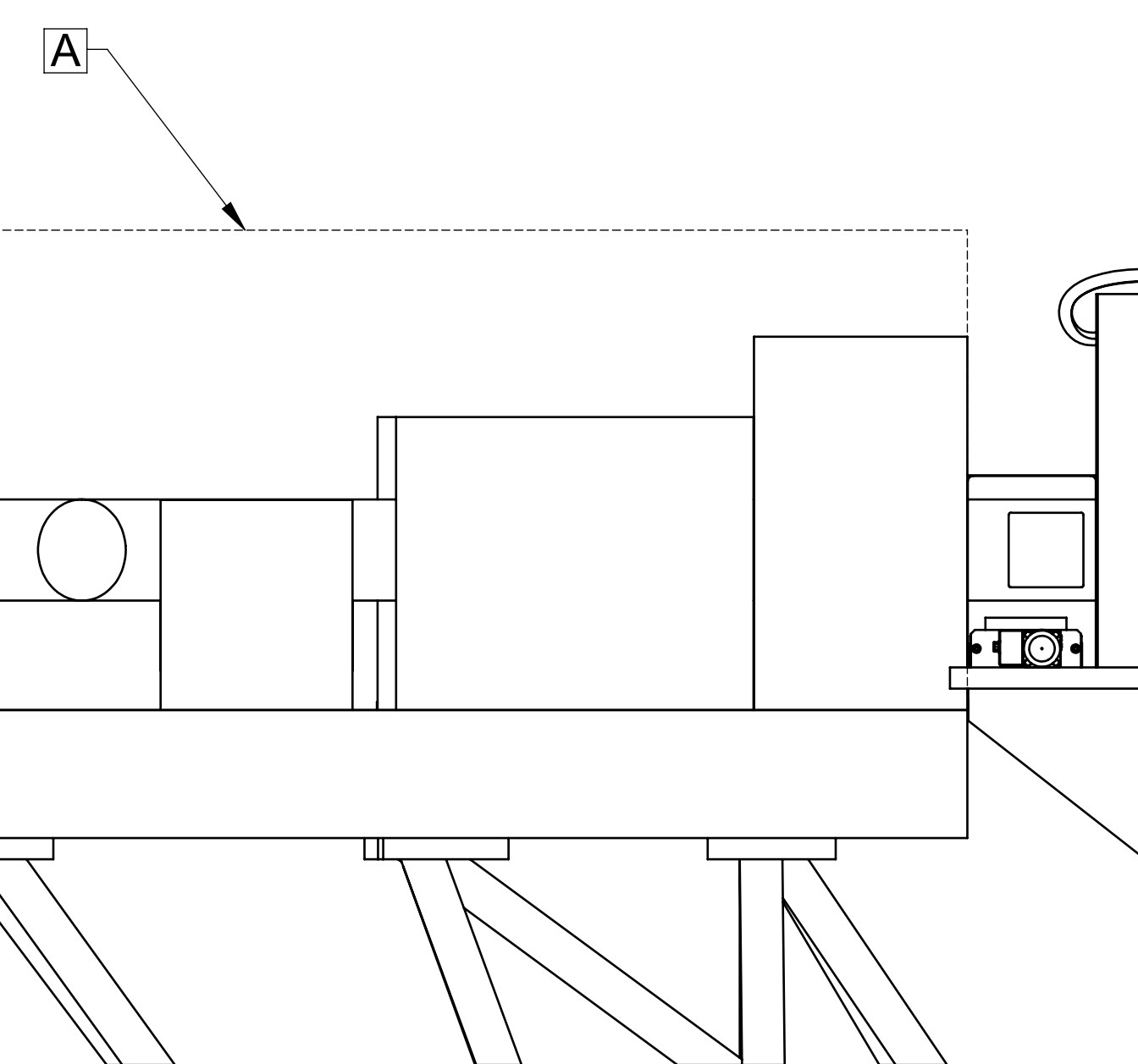
REVISION					
ZONE	LTR	DESCRIPTION	DATE	BY	REV
-	-	-	-	-	-
-	-	-	-	-	-

Optical Table with AO System

Optical Table without AO System



DETAIL A
SCALE 1 : 10



BoxNo	Component Description	L(mm)	W(mm)	H(mm)
1	Beam Relay System IM Mount Assembly	260	260	260
2		180	120	200
3		240	180	200
4	Automated Alignment System (AAS)	380	180	100
5		180	100	200
6	Adaptive Optics (AO)	335	300	275
7		510	370	275
8	Atmospheric Dispersion Corrector (ADC)	250	200	350

V.P. - Volume allocated for beam Path

Item No	Component Description	Maximum Mass(kg)
-	Atmospheric Dispersion Corrector (ADC)	30
-	Adaptive Optics (AO)	50
-	Automated Alignment System (AAS)	20
-	Dichroic Mount Assembly	10
-	Fast Tip Tilt System (FTTS)	20
-	Beam Relay System IM Mount Assembly	15
-	TOTAL	145

TOLERANCES UNLESS OTHERWISE NOTED
DIN 7168 - f - R

NOTES: UNLESS OTHERWISE NOTED:
1. DIMENSION LIMITS AFTER PLATING
2. DIMENSIONS ARE IN MILLIMETERS (mm)
3. REMOVE ALL BURRS AND SHARP EDGES
4. MACHINED SURFACE ROUGHNESS: 3.2um Ra
5. FINISH:
6. QTY: 1
7. MAT'L: -

DESIGNED BY: MBO DATE: MBO/08 APPROVED BY: DATE:
DRAWN BY: ALOHRES DATE: 02/08 APPROVED BY: DATE:
CHECKED BY: DATE: APPROVED BY: DATE:

SYSTEM: INTERFEROMETER
SUB-SYSTEM: UTM- OPTICAL TABLE
NEXT-ASSY: -

NAME: OPTICAL TABLE SPACE ALLOCATION
DWG NO: INT-403-DWG-0100 rev0.1 REV: 0.1
SCALE: 1:6 CAD FILE: INT-403-DWG-0100 rev0.1.SLDDWR SHEET: 1 / 1

[A] Maximum Height for optical table hardware.